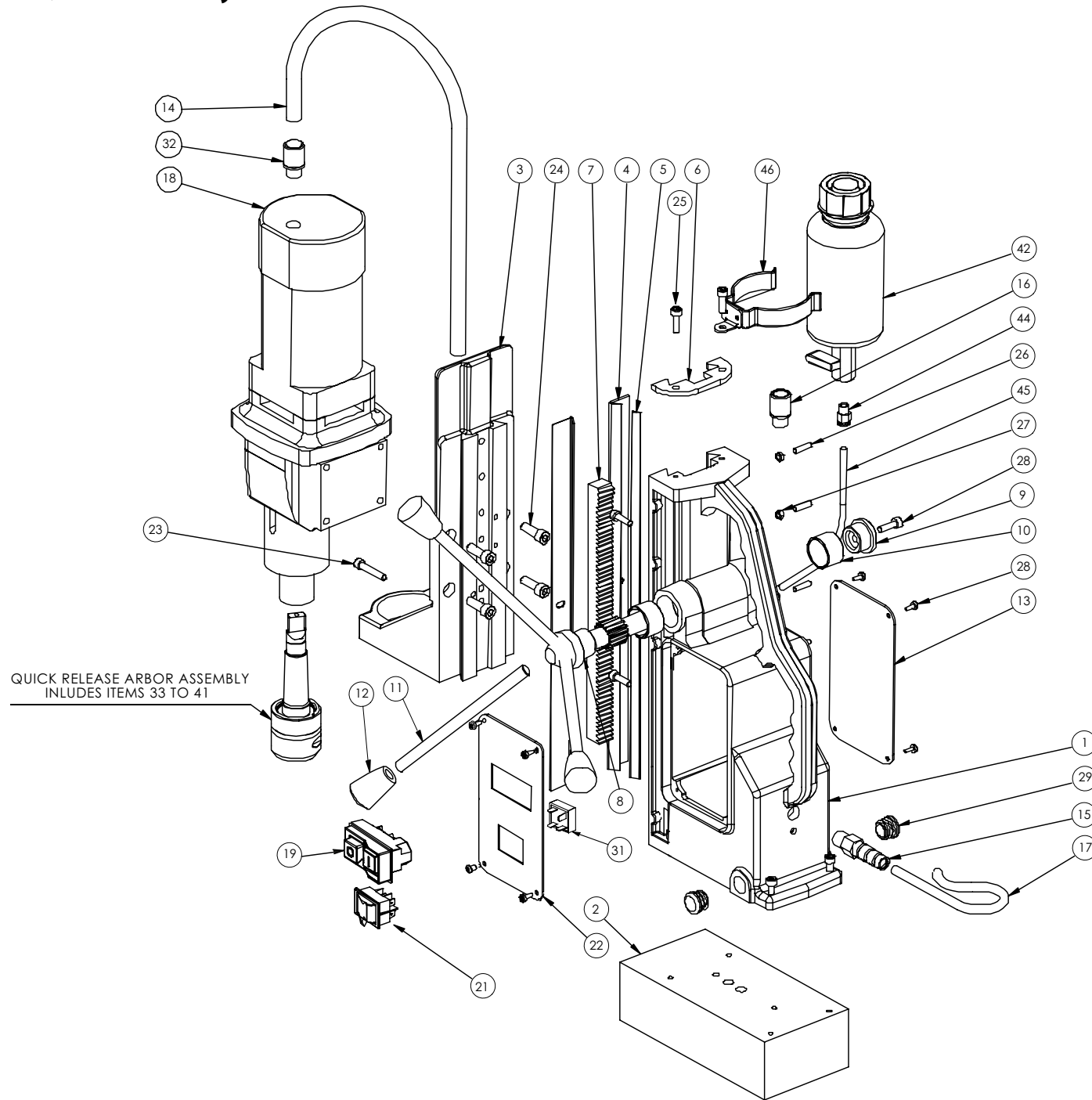
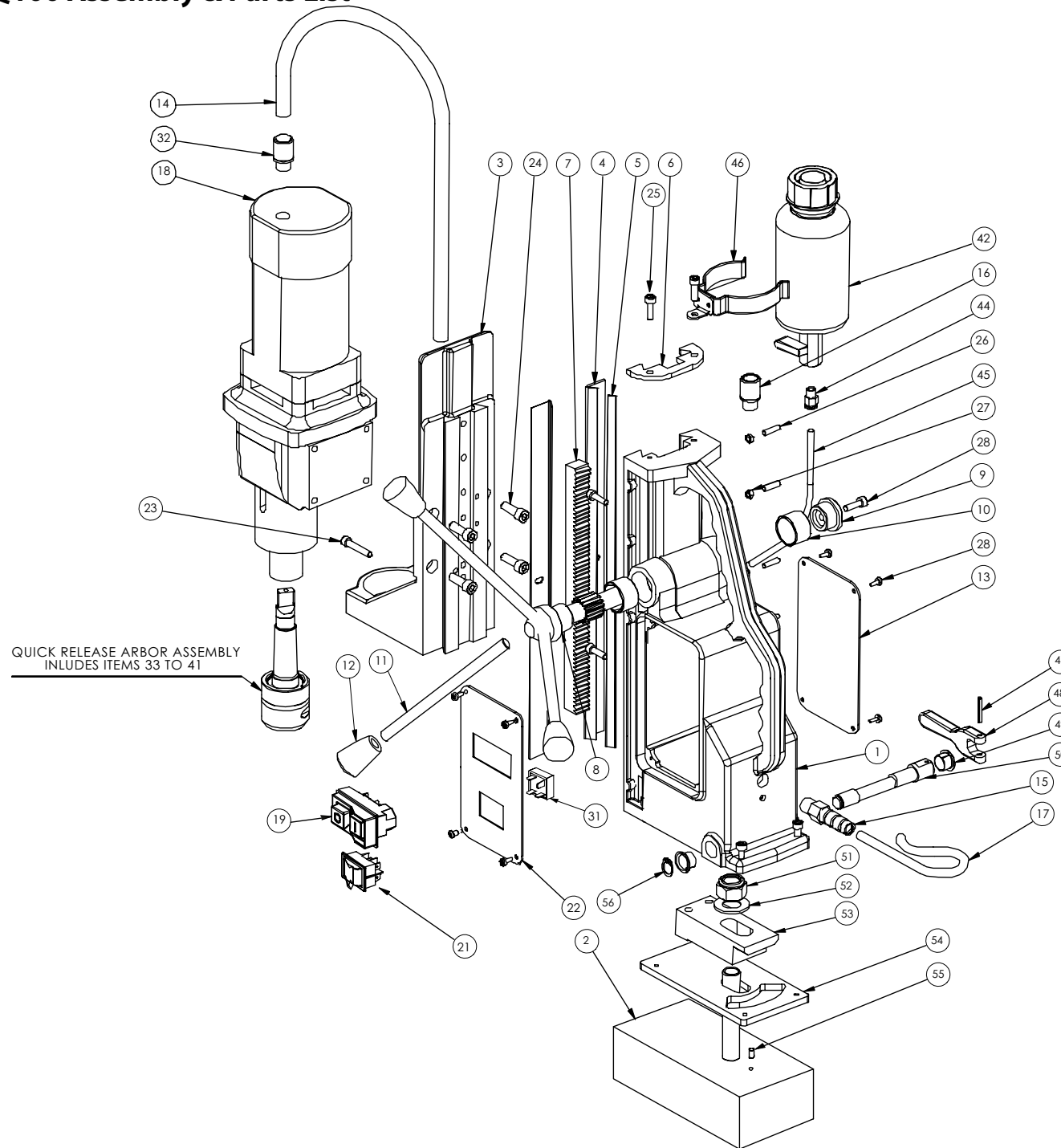


MBQ100 Assembly & Parts List



ITEM NO	PART NO	DESCRIPTION	QTY
1	M005ORA	MT50 BODY (ORANGE)	1
2	M0033	MAGNET BASE (LARGE)	1
3	20355	EIBENSTOCK CRADLE	1
4	M0103	BRASS RAIL (MT50)	2
5	M0442	G.F.S. (MT50)	1
6	M0813	TOP PLATE (MAGTRON DOVETAIL)	1
7	M0833	RACK (MT50)	1
8	M0042	PINION - MAGTRON (LARGE)	1
9	M0071	PINION END CAP (SHALLOW)	1
10	M0081	BUSH (PINION)	2
11	20346	HANDLE (12mm LARGE)	3
12	10082	HANDLE KNOB (12mm KNOCK ON)	3
13	NWP-03	WARNING PLATE (LARGE)	1
14	M0443	CONDUIT	1
15	10231	M16 STRAIN RELIEF CABLE GLAND	1
16	40026	M16 PUSH FIT GLAND	1
17	10237-1	CABLE YELLOW (110V)	1
18	EIB03	EIBENSTOCK UNI111 DRILL - 110V	1
18	EIB04	EIBENSTOCK UNI111 DRILL - 240V	1
19	NCP001	DRILL STOP/START SWITCH 110V	1
19	NCP002	DRILL STOP/START SWITCH 240V	1
20	M0401	BRIDGE RECTIFIER	1
21	NCP006	MAGNET SWITCH (NCP)	1
22	NCP14	NCP SWITCH PLATE LARGE	1
23	SC630CAP	M6 x 30 CAP HEAD SCREW	1
24	SC816CAP	M8 x 16 CAP HEAD SCREW	4
25	SC616CAP	M6 x 16 CAP HEAD SCREW	5
26	10085A	M5 x 25 SOCKET SET SCREW	6
27	10085B	M5 NYLON NUT	6
28	SC410BH	M4 x 10 BUTTON HEAD SCREW	8
29	*****	SWIVEL PIN BLANKING BUNG	2
32	40025	PG9 PUSH FIT GLAND	1
33	ARBQR03-A	EIBENSTOCK Q/R UNI3 ARBOR BODY	1
34	10205A	ARBOR EJECTION PLUG (M/TAPER)	1
35	SPRI01	ARBOR SPRING (M/TAPER)	1
36	ARBQR-02	QUICK RELEASE ARBOR COLLAR	1
37	ARBQR-03	QUICK REL ARBOR LOCK SHOE	1
38	ARBQR-04	Q/RELEASE COLLAR SPRING	1
39	ARBQR-05	QUICK REL ARBOR TOR SPRING	2
40	ARBQR-06	20MM O/D X 4MM NITRILE O RING	1
41	CCP-38V	38OD V INTERNAL CIRCLIP	1
42	30046	LARGE OIL CUP ASSEMBLY	1
44	50015A	1/8" BSP - 6MM PUSH FIT CONNEC	2
45	50013A	6mm OIL PIPE (OIL FEED ASSY)	1
46	10076C	OIL CUP RETAINING CLIP COMPLETE	1

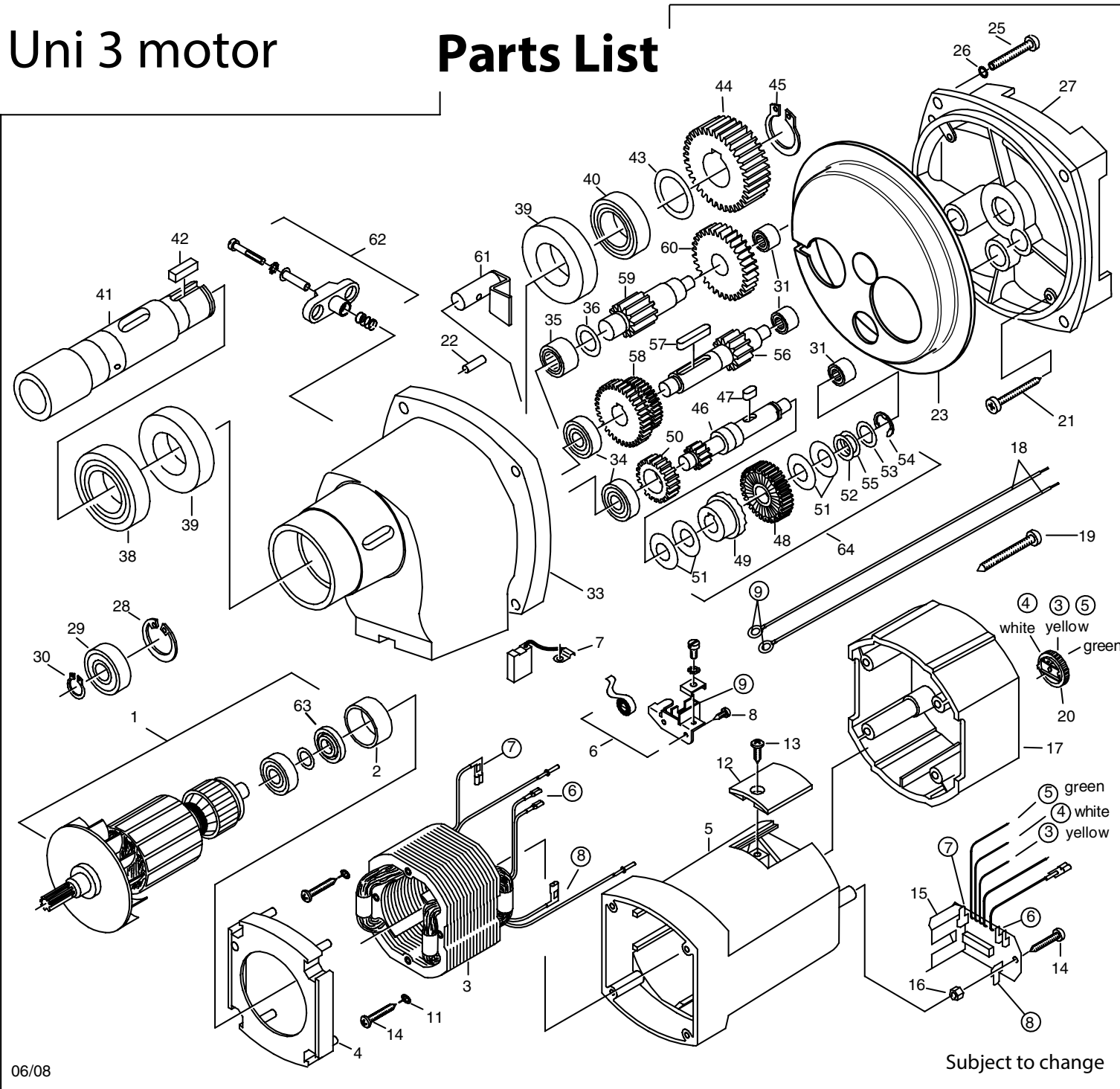
MBSEQ100 Assembly & Parts List



ITEM NO	PART NO	DESCRIPTION	QTY
1	M0005ORA	MT50 BODY (ORANGE)	1
2	M0036	MAGNET BASE (LARGE) SWIVEL	1
3	20355	EIBENSTOCK CRADLE	1
4	M0103	BRASS RAIL (MT50)	2
5	M0442	G.F.S. (MT50)	1
6	M0813	TOP PLATE (MAGTRON DOVETAIL)	1
7	M0833	RACK (MT50)	1
8	M0042	PINION - MAGTRON (LARGE)	1
9	M0071	PINION END CAP (SHALLOW)	1
10	M0081	BUSH (PINION)	2
11	20346	HANDLE (12mm LARGE)	3
12	10082	HANDLE KNOB (12mm KNOCK ON)	3
13	NWP-03	WARNING PLATE (LARGE)	1
14	M0443	CONDUIT	1
15	10231	M16 STRAIN RELIEF CABLE GLAND	1
16	40026	M16 PUSH FIT GLAND	1
17	10237-1	CABLE YELLOW (110V)	
18	EIB03	EIBENSTOCK UNI111 DRILL - 110V	1
18	EIB04	EIBENSTOCK UNI111 DRILL - 240V	1
19	NCP001	DRILL STOP/START SWITCH 110V	1
19	NCP002	DRILL STOP/START SWITCH 240V	1
20	M0401	BRIDGE RECTIFIER	1
21	NCP006	MAGNET SWITCH (NCP)	1
22	NCP14	NCP SWITCH PLATE LARGE	1
23	SC630CAP	M6 x 30 CAP HEAD SCREW	1
24	SC816CAP	M8 x 16 CAP HEAD SCREW	4
25	SC616CAP	M6 x 16 CAP HEAD SCREW	5
26	10085A	M5 x 25 SOCKET SET SCREW	6
27	10085B	M5 NYLOK NUT	6
28	SC410BH	M4 x 10 BUTTON HEAD SCREW	8
29	*****		
32	40025	PG9 PUSH FIT GLAND	1
33	ARBQR03-A	EIBENSTOCK Q/R UNI3 ARBOR BODY	1
34	10205A	ARBOR EJECTION PLUG (M/TAPER)	1
35	SPRI01	ARBOR SPRING (M/TAPER)	1
36	ARBQR-02	QUICK RELEASE ARBOR COLLAR	1
37	ARBQR-03	QUICK REL ARBOR LOCK SHOE	1
38	ARBQR-04	Q/RELEASE COLLAR SPRING	1
39	ARBQR-05	QUICK REL ARBOR TOR SPRING	2
40	ARBQR-06	20MM O/D X 4MM NITRILE O RING	1
41	CCP-38V	38OD V INTERNAL CIRCLIP	1
42	30046	LARGE OIL CUP ASSEMBLY	1
44	50015A	1/8" BSP - 6MM PUSH FIT CONNEC	2
45	50013A	6mm OIL PIPE (OIL FEED ASSY)	1
46	10076C	OIL CUP RETAINING CLIP COMPLETE	1
47	SELPIN430	4x30 SELOC PIN	1
48	MO701	SWIVEL CAM HANDLE	1
49	MO741	SWIVEL CAM PIN BUSH	2
50	MO721	SWIVEL CAM PIN	1
51	MO621	NYLOC NUT SWIVEL BASE	1
52	MO641	WASHER SWIVEL BASE	1
53	MO661	SWIVEL CAM BLOCK	1
54	MO911	SWIVEL PLATE	1
55	*****	M6x16 SET SCREW	1
56	CCPX-14	CAM PIN CIRCLIP	1

Uni 3 motor

Parts List

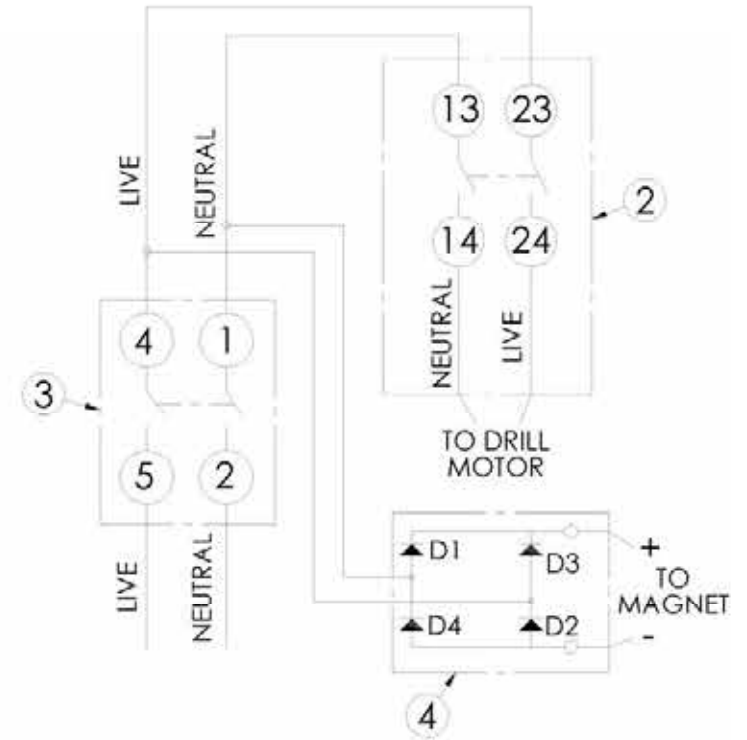
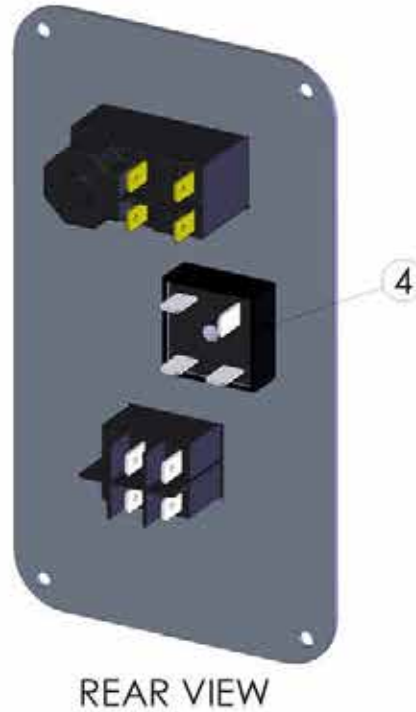
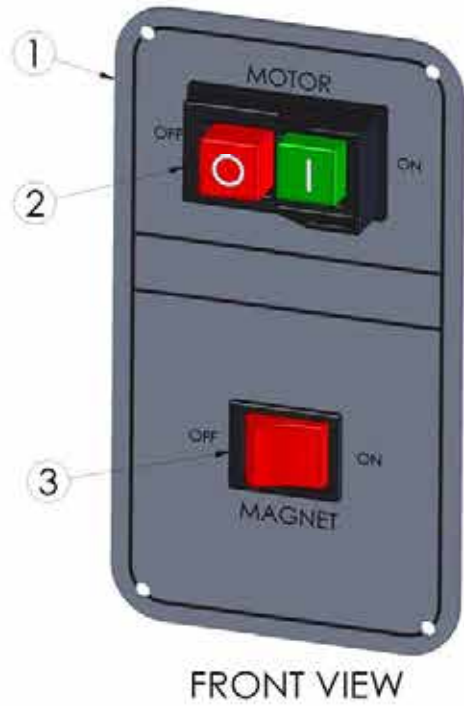


UNI 3 - 230V/110V

ITEM No	DESCRIPTION	No:	UDCE STOCK CODE
1	ARMATURE 230V - worm drive	74322100	EIB058-2
1	ARMATURE 110V - worm drive	74324100	EIB058-1
2	ARMATURE BEARING CAP	83000031	EIB194
3	FIELD COIL 230V	73320150	EIB054-2
3	FIELD COIL 110V	73329150	EIB054-1
4	FAN COVER	73320140	EIB018
5	MOTOR HOUSING	80900069	EIB019
6	BRUSH HOLDER	80201199	EIB036
7	CARBON BRUSH	80700019	EIB047
8	*****	*****	*****
9	*****	*****	*****
10	SCREW HC 2.9X13	80201252	EIB196
11	SPRING WASHER S6	80201362	EIB197
12	BRUSH COVER	80900073	EIB020
13	SCREW HC 4.2X13	80201270	EIB154
14	SCREW HC 4.2X25	80201273	EIB155
15	UNI 3 CIRCUIT BOARD 230V	74322280	EIB059-2
15	UNI 3 CIRCUIT BOARD 110V	74324280	EIB059-1
16	M5 PLASTIC NUT	80201295	EIB151
17	DRILL CAP	74322240	EIB029
18	SUPPRESSOR	80500010	EIB156
19	SCREW HC 4.8X50	80201284	EIB157
20	SPEED CONTROL KNOB	80500002	EIB045B
21	SCREW HC 4.8X45	80201267	EIB158
22	LOCATING DOWEL 5X12	80200584	EIB159
23	GEAR PLATE SHIELD	80900111	EIB082
24	*****	*****	*****
25	SCREW M6X20	80201124	EIB160
26	WASHER A6	80201303	EIB161
27	GEAR PLATE	74324610	EIB032
28	CIRCLIP 32/1.2	80201351	EIB043
29	BEARING '6201 LUZ'	*****	UDC021
30	CIRCLIP 11/1	80201320	EIB143
31	HK0810 BEARING	*****	UDC020
33	GEAR BOX HOUSING	74324400	EIB031
34	BEARING '6000'	*****	UDC001
35	'RNA 4900' NEEDLE BEARING	*****	UDC021
36	RNA 4900' WASHER	71540517	EIB163
37	*****	*****	*****
38	BEARING '6006 2RS'	*****	UDC007
39	SEAL '30X47X7'	83000039	EIB049
40	BEARING '6005 2RS'	*****	UDC006
41	SPINDLE	74322420	EIB030
42	KEY 'B6X6X20	80200606	EIB164
43	COMPRESSOR RING 32/35X0.1	80200512	EIB165
44	MAIN GEAR	71540430	EIB016
45	CIRCLIP 24/1.2	80201326	EIB041
46	TRAILER GEAR 1	71521490	EIB011
47	KEY	71540495	EIB146
48	CLUTCH GEAR - WORM DRIVE	7752A550	EIB060
49	CLUTCH COUPLING	71540560	EIB015
50	INTER GEAR 28 Z	71521470	EIB141
51	WASHER '28X12.2X1'	80200713	EIB147
52	WASHER '12/18X0.5	80200503	EIB148
53	THRUST WASHER	85000004	EIB150
54	CIRCLIP '9'	80201361	EIB149
55	THRUST WASHER '12.1X18X1'	85000003	EIB144
56	TRAILER GEAR 2	71521500	EIB012
57	KEY 'A5X5X28	80200602	EIB034
58	DOUBLE GEAR	71521440	EIB009
59	TRAILER GEAR 3	71521510	EIB013
60	SPUR GEAR	71521480	EIB010
61	GEAR LEVER	71521520	EIB195
62	GEAR LEVER ASSEMBLY	71540545	EIB017
63	TACHO RING	80701004/2	EIB062
64	CLUTCH GEAR ASSEMBLY	71521493	EIB201

Subject to change

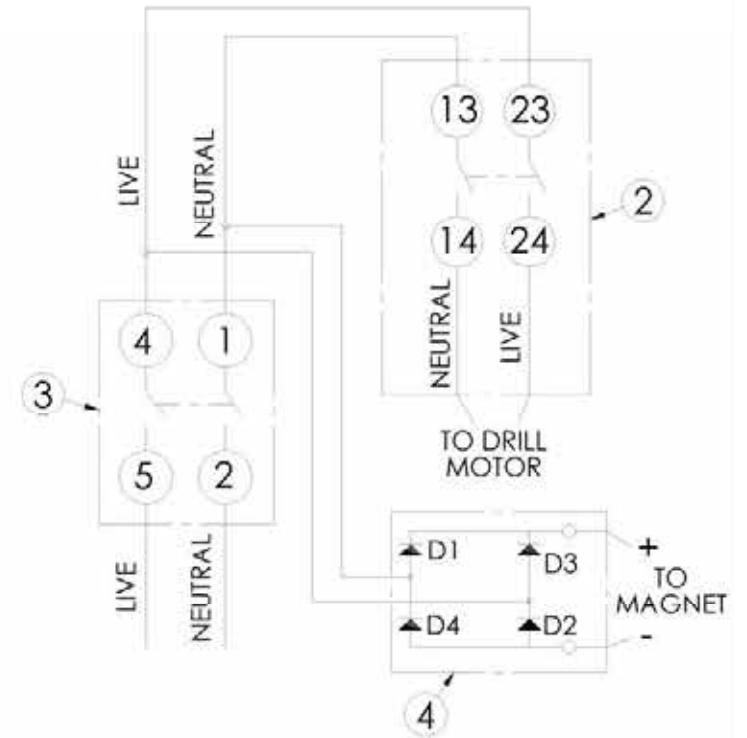
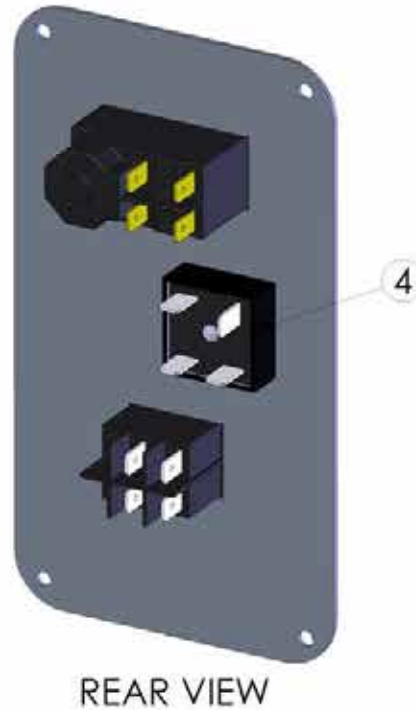
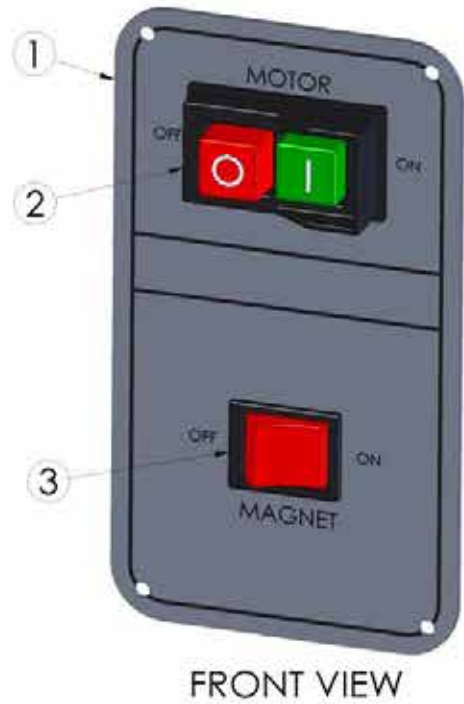
MBQ100 Mechanical Switchplate (NCP Panel) 120v



NOTES:
1. ITEM 4 TO BE BONDED
TO REAR OF PLATE

ITEM NO.	QTY.	PART NO.	DESCRIPTION
1	1	NCP013	NCP BLANK SWITCH PLATE - LARGE
2	1	NCP001	DRILL STOP/START SWITCH-120v
3	1	NCP006	MAGNET SWITCH NCP PANEL
4	1	M0401	25A-BRIDGE RECTIFIER

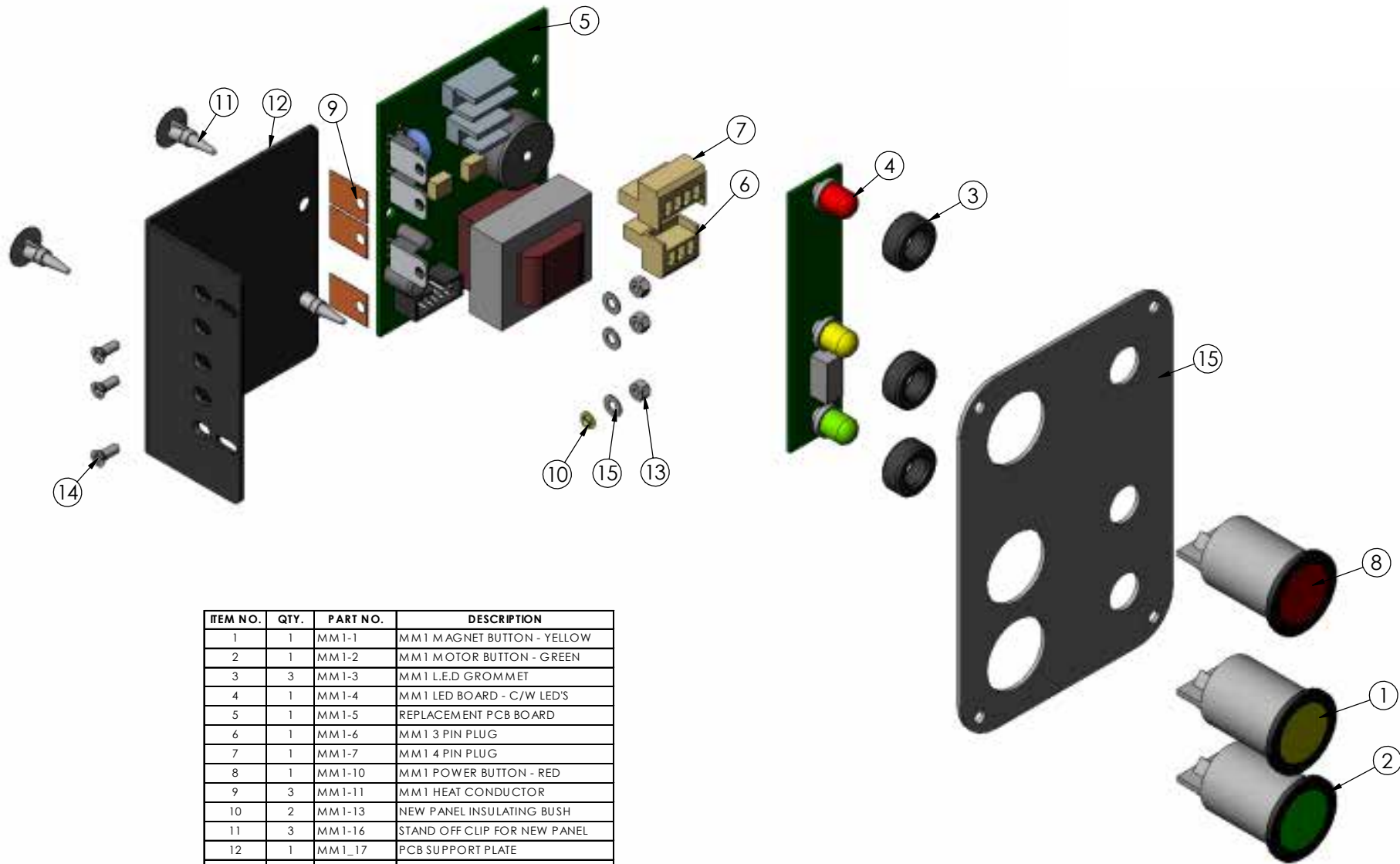
MBQ100 Mechanical Switchplate (NCP Panel) 240v



ITEM NO.	QTY.	PART NO.	DESCRIPTION
1	1	NCP013	NCP BLANK SWITCH PLATE - LARGE
2	1	NCP002	DRILL STOP/START SWITCH-230v
3	1	NCP006	MAGNET SWITCH-NCP PANEL
4	1	M0401	25A-BRIDGE RECTIFIER

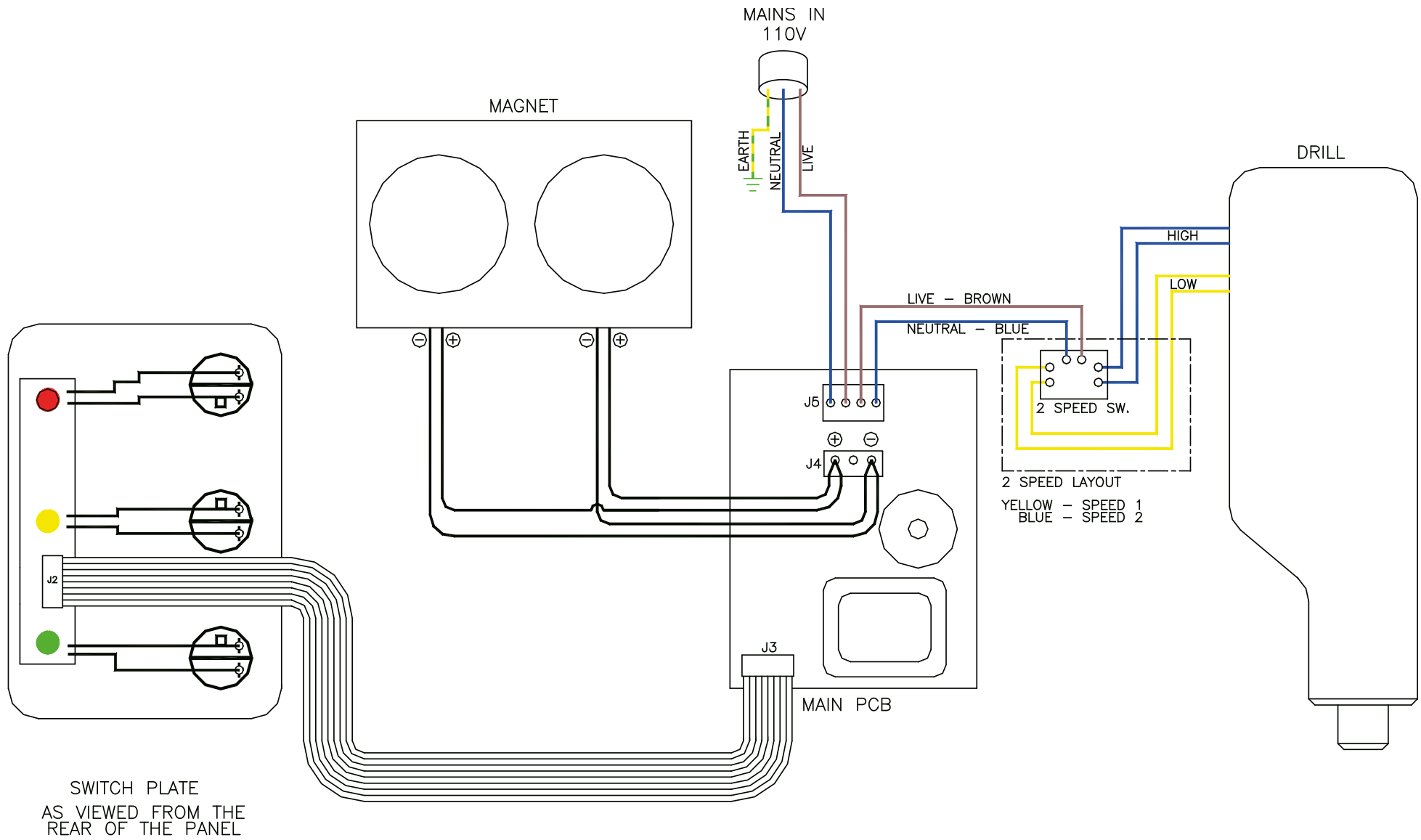
NOTES:
1. ITEM 4 TO BE BONDED TO REAR OF PLATE

MBQ100 Electronic Switchplate (Panel P) Dual voltage

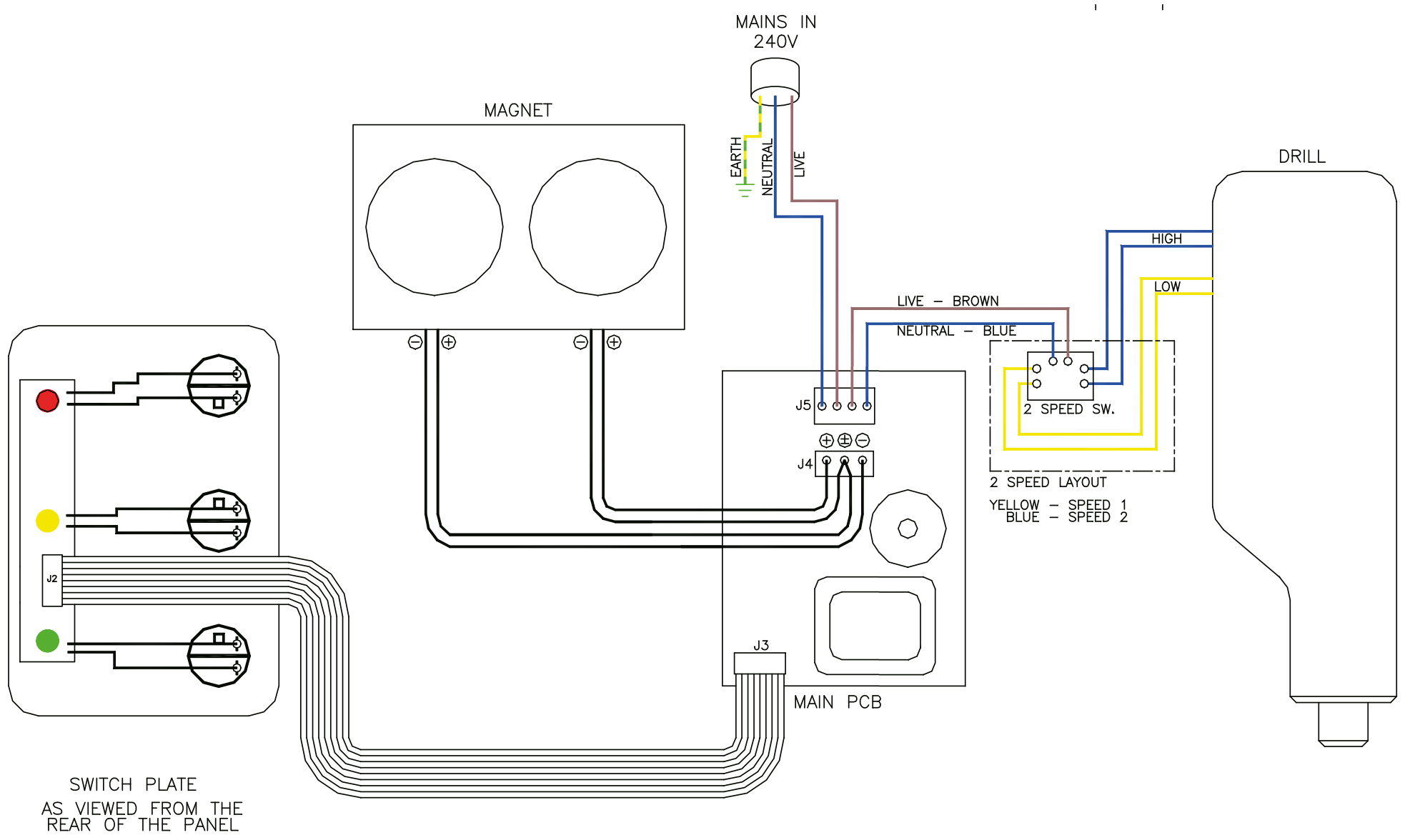


ITEM NO.	QTY.	PART NO.	DESCRIPTION
1	1	MM1-1	MM1 MAGNET BUTTON - YELLOW
2	1	MM1-2	MM1 MOTOR BUTTON - GREEN
3	3	MM1-3	MM1 L.E.D GROMMET
4	1	MM1-4	MM1 LED BOARD - C/W LED'S
5	1	MM1-5	REPLACEMENT PCB BOARD
6	1	MM1-6	MM1 3 PIN PLUG
7	1	MM1-7	MM1 4 PIN PLUG
8	1	MM1-10	MM1 POWER BUTTON - RED
9	3	MM1-11	MM1 HEAT CONDUCTOR
10	2	MM1-13	NEW PANEL INSULATING BUSH
11	3	MM1-16	STAND OFF CLIP FOR NEW PANEL
12	1	MM1_17	PCB SUPPORT PLATE
13	3	NUT-M3	M3 NYLOC NUT
14	3	SC36CSK-X	M3 X 6 C'SINK CROSS HEAD SCREW
15	1	-	PANEL FACIA PLATE

MBQ100 Electronic Switchplate (Panel P) Wiring Diagram (110v)



MBQ100 Electronic Switchplate (Panel P) Wiring Diagram (240v)



SWITCH PLATE
AS VIEWED FROM THE
REAR OF THE PANEL